



# BUMP-FREE



## Operating Instructions for Rechargeable Shaver Instrucciones de Funcionamiento para la Rasuradora Recargable

Models 7339

### HYPOALLERGENIC TITANIUM FOIL

Many African-American men suffer from pseudofolliculitis barbae also known as razor bumps. There are few solutions to this problem, but the Wahl® Bump-Free Shaver can help by:

- Keeping hair even and short
- Staying as antibacterial as possible
- Reducing allergic reactions through hypoallergenic titanium foils



**IMPORTANT:** Because this foil is capable of shaving very close, use only a light touch when shaving the neck and other areas where the skin may be thin and sensitive.

### Replacement Foil & Cutter Bar: #07019-500

**3-YEAR LIMITED WARRANTY**  
Valid in U.S.A. Only

If your Wahl product fails to operate satisfactorily within three (3) years from the date of original purchase or receipt as a gift, Wahl will, at our option, repair or replace the product and return it to you FREE OF CHARGE. **Do not return this product to store where purchased.** Products needing repair under this warranty should be returned with postage pre-paid to the following address or call 1-800-767-9245 for assistance:

**Wahl Clipper Corp.  
Attn: Repair Department  
3001 Locust Street  
Sterling, Illinois 61081**

When mailing, please include a note describing the defect and the date of original purchase or receipt as a gift. Products out of warranty will be repaired at our standard repair charges.

This warranty does not cover products damaged by:

1. Modification or repair by anyone other than Wahl Clipper Corporation or a Wahl authorized service center;
2. Commercial (non-consumer) use or unreasonable use.

This warranty gives you specific legal rights, and you may also have other rights which vary from state to state. No other written express warranty is given. No responsibility is assumed for incidental or consequential damages of any type or for the use of unauthorized attachments. Some states may not allow the exclusion or limitation of incidental or consequential damages, so the limitation may not apply to you. Warranty valid in U.S.A. only. Outside U.S.A., check with store for Wahl authorized distributor's warranty.

For more information or Product Registration, visit [WahlUSA.com](http://WahlUSA.com)

© 2022 Wahl Clipper Corporation  
art no. 3024394 (v.2022.07)

## SAVE THESE INSTRUCTIONS For Household Use Only



**DISPOSAL OF NI-CAD BATTERY CONTAINS SEALED, RECHARGEABLE NICKEL-CADMIUM BATTERY. MUST BE RECYCLED OR DISPOSED OF PROPERLY.**

Depending on use, your battery should last four to six years before replacement is necessary. When replacement is necessary, follow these simple steps:

1. First remove the Flex Foil® head while shaver is in off position. Push the shaver head release button on the side of the shaver and lift foil head upward. Remove cutter bar by holding shaver in one hand, gently press down on cutter bar to rotate it 90° and gently lift it upward. Be sure your thumb and first finger are positioned at each end of cutter bar assembly.
2. Remove the two spring clips on the top of the shaver using a small, flat-blade screwdriver. Place hand over spring clips when removing in order to prevent the clips from springing away and getting lost. Pull back trimmer housing away from the shaver.
3. Cut wires on both sides of tab at each end of battery. Remove battery.
4. The RBRC program provides a convenient alternative to placing Ni-Cad batteries into the trash or the municipal waste stream, which is illegal in some areas. For proper disposal, call 1-800-8-BATTERY for a recycling center in your area.

**CONGRATULATIONS!** You own the Wahl® Bump-Free Shaver. It has a patented high-speed cutting system and specially angled Flex Foil® dual heads . . . for remarkably close, amazingly fast shaves! Plus, a concealed full-width trimmer located on the back of the shaver pops up and away from the foil head for clear view shaping of sideburns, beards and mustaches. We at Wahl are confident you will find extraordinary shaving speed, comfort and closeness. Just follow the tips in this folder.

### TIPS FOR FIRST-TIME USERS

If you are using an electric shaver for the first time, your skin will probably need to condition itself to this new shaving technique. Start on the easiest part of the face first, usually the smooth portion of the face below the ear. Shave with a light touch and use your Wahl shaver exclusively for three to four weeks, or longer if you have sensitive skin or if your whiskers grow at different angles in certain areas. **Initially your shaves may not be as close as you would like**, and your skin may become a bit irritated. But if you stick with it, you will eventually get great shaves.

If you go several days without shaving and your beard gets a bit long, use the pop-up trimmer to go over your beard, catching all the longer hairs and setting up the remaining stubble for the foil to shave smooth and clean.

If you have been using another type of electric shaver before, there may also be a period of conditioning prior to receiving maximum results.

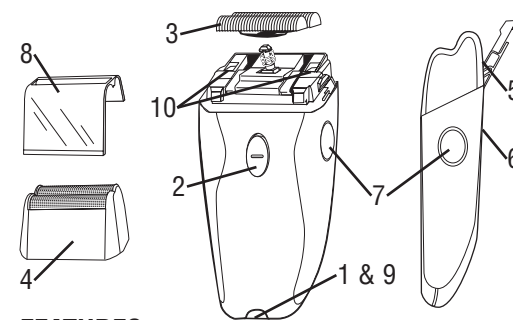
### LOUD & PROUD

The Wahl® Bump-Free Shaver uses a very powerful rotary motor that delivers 10,000 cycles per minute to the cutter head. This results in a very strong audible hum, but is completely normal to its operation.

*Don't settle for a weak shaver!*

### QUICK TIPS & HANDY REMINDERS

1. If you are a first-time electric shaver user, or changing from another brand, there will be a 2 to 3 week (or less) adjustment period while your face and beard adapts to the new foil.
2. When you open your package, charge your shaver for 18 hours before the first shave.
3. Replace the foil head every 6 to 12 months, depending on how often you shave and how tough your beard is.
4. Be sure to clean the shaver, cutter bar and foil after every three or four shaves.
5. Replace the cutter bar every 12 to 18 months.
6. Use the pop-up long-hair trimmer to snip stray hairs and to mow down 2 to 3 day growth before shaving with your chosen foil head.
7. Keep using and both your face and beard will adapt to the shaver.
8. During the break-in period of the cutter bar, you may experience a black residue left on the face. It is a harmless combination of whiskers, skin debris and minute particles from the cutter bar which will wash off easily. This condition will quickly disappear with use.



### FEATURES

- |                             |                               |
|-----------------------------|-------------------------------|
| 1. Socket                   | 6. Long-Hair Trimmer Switch   |
| 2. On/Off Switch            | 7. Shaver Head Release Button |
| 3. Cutter Bar Assembly      | 8. Foil Guard                 |
| 4. Flex Foil® Head          | 9. Charger Contacts           |
| 5. Long-Hair Pop-Up Trimmer | 10. Spring Clips              |

### CHARGING OPERATION

• **For best performance, charge for 18 hours before the first shave.** This product has been designed with the charger in the plug. This construction allows the shaver to be very powerful, yet much lighter for easier maneuverability, and it also keeps the line voltage safely at the plug and not in the shaver.

• Plug the transformer cord into the shaver. **BE SURE SHAVER IS IN THE "OFF" POSITION (MARKED "O" ON SHAVER) WHEN CHARGING.**

• This shaver features a Ni-Cad battery which means you should cycle the battery to prolong its life. To do this, fully discharge the battery by letting the shaver die, and then, fully recharge it. This will help ensure the shaver has the longest battery life possible without suffering from any negative memory effects.

1

2

3

4

5

### SHAVING PROCEDURES FOR FAST, CLOSE SHAVES

We suggest that you thoroughly cleanse and completely dry your skin prior to shaving. For maximum speed and efficiency, hold the shaver so that both screens are in contact with the skin. When shaving the upper lip or neck, hold shaver so that the uppermost screen is in contact with skin.

Shave both with and against the grain of the beard, and stretch the skin taut in the path of the shaver. Guide the dual foil heads **gently** back and forth, primarily against the grain of the beard. **Do not press screen heads hard against face.** Heavy scrubbing action with the shaver could damage the foil and will not result in a closer shave.

As a general rule, we recommend replacing the Flex Foil® head every four to six months for maximum results. The foil is micro-thin with precise, raised inner cutting edges around the whisker holes. These raised cutting edges will wear with use, which will be indicated if your shaver slows down and the blades seem to get warm. Always replace the foil guard to protect the delicate dual foil heads when shaver is off. To ensure continued shaving satisfaction, you should replace the foils often and cutter bar periodically.

### SHAVING HEAVY BEARD GROWTH

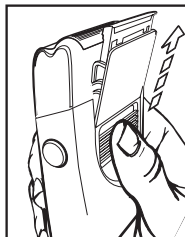
Begin shaving in a less dense area of the beard. Move the shaver in a circular motion on a small area of the face (this picks up the hairs that grow in all directions). When you see that this small area is shaved clean, gradually move into a new area while still using the circular motion. Continue this motion, one small section at a time, until entire face is shaved.

If your beard has more than 24-36 hours of growth, use the pop-up long-hair trimmer to cut the beard down to about a one-day growth before using the shaver foil.

### LONG-HAIR TRIMMER OPERATION

Your shaver features a special long-hair trimmer located on the back of the shaver which telescopes up and away from the Flex Foil® head for precise and easy trimming of sideburns, beards or mustaches, and for removing long hairs from the neck. And, as mentioned earlier, it can be used to "knock down" heavy beard growth prior to shaving with the foil.

To use, remove foil guard and simply push the long-hair trimmer Switch in an upward motion until trimmer slides (clicks) into position. Push on/off switch to "ON" position (marked "I" on shaver). Then begin trimming/styling.



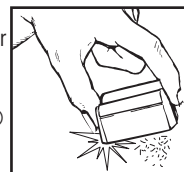
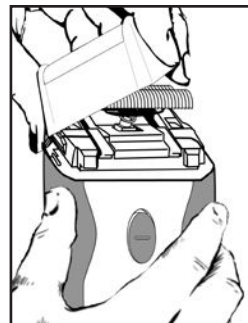
### CLEANING AND MAINTENANCE

*of Patented DynaFlex Cutters (EPO. Pat. No. 486.903) and Flex Foil® Heads*

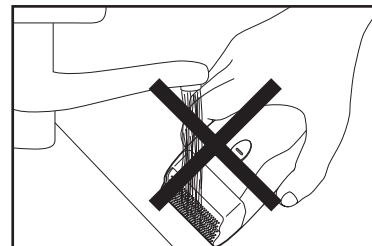
For maximum performance, we recommend you clean your shaver after every few shaves. Any servicing, other than replacement of Flex Foil® head and cutter bar assembly, should be performed by an authorized Wahl Shaver Service Center or Wahl Clipper Corporation (see Warranty for mailing address information).

To clean, turn shaver "OFF" and remove the Flex Foil® head by pushing the shaver head release button on the side of the shaver and lifting the foil head upward.

Lightly tap the open side of the Flex Foil® head on a hard surface to remove the majority of loose stubble particles. **Be careful not to tap foil.**



### Do Not Rinse Shaver



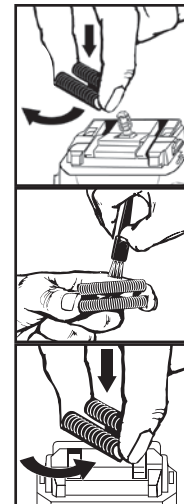
### TO REMOVE CUTTER BAR

**Turn shaver off. Remove the foil head and, holding the shaver in one hand, gently press down on the cutter bar to rotate it 90° and gently lift it upward.** Be sure your thumb and first finger are positioned at each end of the cutter bar assembly. Use the cleaning brush provided to remove whiskers between the cutting blades. Brush carefully, so as not to break the cutter bars apart. NOTE: If you do not hold the cutter bar assembly as shown, brushing the blades could result in damage to the assembly.

When the Flex Foil® head and cutter bar assembly are removed from the shaver, an alternate cleaning method is to rinse them under running water. Simply let them air dry.

After cleaning, replace the cutter bar assembly by pressing it down gently and rotating 90° to lock into place. Carefully replace the Flex Foil® head, snapping it into place.

From time to time, depending on the density of your beard, you will need to replace the cutters and foils. If you notice that it is taking you longer to shave, or if your face starts to feel some irritation, or if the foil seems to become warm to the touch, it is probably time to replace the cutters and foils. Replace the cutters and foils only with WAHL parts.



6

7

8

9

10

11

# GUARDE ESTAS INSTRUCCIONES Solamente Para Uso Residencial

## DESECHO/REEMPLAZO DE LA BATERÍA DE NIQUEL-CADMIO CONTIENE UNA BATERÍA SELLADA, RECARGABLE, DE NIQUEL-CADMIO. ESTA DEBE SER RECICLADA O DESECHADA APROPIADAMENTE.

Dependiendo del uso, la batería debe durar de cuatro a seis años antes de que sea necesario reemplazarla. Sin embargo, si es necesario un repuesto, debe seguir estos pasos:

1. Primero quite la cabezal Flex Foil® mientras que la rasuradora está en la posición de apagado. Empuje el botón de desenganche del cabezal de la rasuradora en el lado de la rasuradura y levante la cabezal hacia arriba. Quite la barra cortadora de sosteniendo la rasuradora en una mano, presione suavemente abajo en la barra cortadora para rotarla el 90° y levántala suavemente hacia arriba. Sea seguro que su pulgar y primer dedo están colocados en cada extremo del montaje de la recortadora de pelos largos.
2. Remueva las dos presillas de resorte de la parte de arriba de la rasuradora utilizando un desarmador pequeño y de punta plana. Ponga la mano sobre las presillas de resorte al quitarlas, a fin de impedir que salten y se pierdan. Empuje hacia atrás el compartimiento de la recortadora de la rasuradora.
3. Corte los alambres en ambos lados de la lengüeta en cada extremo de la batería. Quite la batería.
4. El programa de RBRC proporciona una alternativa conveniente a colocar las baterías Níquel-Cadmio en la basura o la corriente inútil municipal, que es ilegal en algunas áreas. Para la disposición apropiada, llamada 1-800-8-BATTERY para un centro de reciclaje en su vecindad.

1

## MÉTODO PARA LOGRAR UN RASURADO RÁPIDO Y AL RAS

Sugerimos que limpie y seque por completo su piel antes de rasurarse. Para lograr máxima velocidad y eficiencia, sujete la rasuradora de modo que ambas rejillas estén en contacto con la piel. Cuando se rasura por encima del labio superior o en el cuello, sujete la rasuradora de modo que la rejilla superior esté en contacto con la piel.

Rasúrese la barba tanto en el sentido de su crecimiento como en sentido contrario, y estire la piel antes de pasar la máquina. Mueva **suavemente** los cabezales dobles a uno y otro lado, principalmente en contra del sentido de crecimiento de la barba. **No presione las rejillas contra su cara.** Presionar demasiado la afeitadora puede dañar la hoja, lo cual afectaría la afeitada.

Por regla general, recomendamos que reemplace el cabezal Flex Foil® de cada cuatro a seis meses para obtener los mejores resultados. La hoja es microdelgada y dispone de cuchillas interiores protuberantes de gran precisión alrededor de los agujeros para los pelos. Esta cuchilla se desgasta con el uso, y en tal caso la rasuradora funcionará más despacio y las hojas se calentarán. Coloque siempre el protector de la hoja para evitar daños a los cabezales dobles cuando la rasuradora esta apagado.

7

**¡FELICIDADES!** Usted es el dueño de una Rasuradora Bump-Free de Wahl®. **Dispone del sistema patentado Flex Foil®, de alta velocidad y cabezales dobles de ángulo especia** . . . que le brinda rasuradas increíblemente rápidas y al ras. Además, cuenta con una recortadora oculta para los pelos largos que se abre por completo para delinear las patillas, barbas y bigotes. Estamos seguros que usted estará encantado con la velocidad, la comodidad y rasurada perfecta que encontrará en esta rasuradora. Simplemente siga los consejos que le damos en este manual.

## CONSEJOS PARA USAR POR PRIMERA VEZ

Si es la primera vez que va a utilizar una rasuradora eléctrica, probablemente necesitará acondicionar la piel para esta nueva técnica de rasurar. Empiece en la parte más fácil de rasurar de su rostro, generalmente el la parte de su cara debajo de su oído. Rasúrese con gentileza y use exclusivamente su rasuradora por tres o cuatro semanas, o por más tiempo si su piel es sensible o si su pelo facial crece en diferente dirección en ciertas partes de su rostro. **Al principio sus rasuradas no serán tan perfectas como lo desearía,** y la piel puede irritarse un poco. Sin embargo, al continuar usando la rasuradora, obtendrá en el tiempo indicado unas rasuradas perfectas.

Si ha dejado pasar varios días sin rasurarse y si su barba está un poco larga, use la recortadora oculta para rebajar todos los pelos más largos y permitirle después al cabezal que corra suavemente y obtener una rasurada limpia.

Si anteriormente ha usado otro tipo de rasurada eléctrica, es posible que tenga que transcurrir un cierto período de acondicionamiento antes de obtener los mejores resultados.

2

## RASURADO DE BARBAS POBLADAS

Empiece rasurándose la zona de la barba que esté menos poblada.

Mueva la rasuradora en forma circular en una pequeña zona de la cara (esto para cortar los pelos que crecen en diferentes direcciones). Cuando se haya rasurado completamente esta zona pequeña, mueva la rasuradora gradualmente a una zona nueva sin abandonar el movimiento circular. Siga avanzando en pequeñas áreas hasta terminar de rasurar toda su cara.

Si ha dejado crecer la barba por más de 24 a 36 horas, use primero la recortadora de pelo largo para reducir el tamaño de la barba hasta que parezca como si fuera de un solo día de crecimiento, antes de pasar las hojas.

## OPERACIÓN DE LA RECORTADORA DE PELOS LARGOS

Esta rasuradora dispone de una recortadora especial de pelo largo que se proyecta hacia afuera y opera por encima del cabezal Flex Foil® para recortar las patillas, barbas o bigotes en forma precisa y fácil, y para cortar los pelos largos del cuello. Además, según se mencionó anteriormente, se puede usar para rebajar la barba espesa antes de rasurarse con el cabezal.

Para usarla, quite el protector de la hoja y simplemente empuje hacia arriba el interruptor de la recortadora de pelo largo hasta que la misma quede en posición (se escuchará un “clic”). Ponga el interruptor en la posición de Encendido (marcada con una “I” en la rasuradora). Después empiece a recortar y dar forma.

8

## LLAMATIVO Y ORGULLOSO

La Rasuradora Bump-Free de Wahl® utilizan un potente motor de rotación que entrega 10,000 ciclos por minuto hacia la cabeza cortadora. Esto resulta en un muy fuerte zumbido, pero este es completamente normal debido a su funcionamiento (operación).

**¡No te conrormes con una rasuradora debil!**

## CONSEJOS RÁPIDOS Y COSAS PARA RECORDAR

1. Si es la primera vez que utiliza una rasuradora eléctrica, o ha utilizado una rasuradora eléctrica de otra marca, su cara y su barba necesitarán de un período de ajuste de 2 a 3 semanas (o menos) para adaptarse al nuevo cabezal.
2. Cuando abra el empaque, cargue su rasuradora por 18 horas antes de utilizarla por primera vez.
3. Cambie el cabezal cada 6 a 12 meses, dependiendo del uso y del tipo de barba.
4. Asegúrese de limpiar la rasuradora, el ensamblaje de la barra cortadora y el cabezal cada tres o cuatro rasuradas.
5. Cambie el ensamblaje de la barra cortadora de cada 12 a 18 meses.
6. Utilice la recortadora para cortar los cabellos largos o antes de rasurar cuando no haya rasurado el rostro por 2 o 3 días.
7. Siga utilizando la rasuradora y se dará cuenta como su rostro y su barba se adaptan a la rasuradora.
8. Durante el período inicial de la barra cortadora usted puede encontrar algo de polvo negro en la cara. Es una combinación inofensiva de barbas, de la ruina de la piel y de partículas muy pequeñas de la barra cortadora que se lavará fácilmente. Esta condición desaparecerá rápidamente con uso.

3

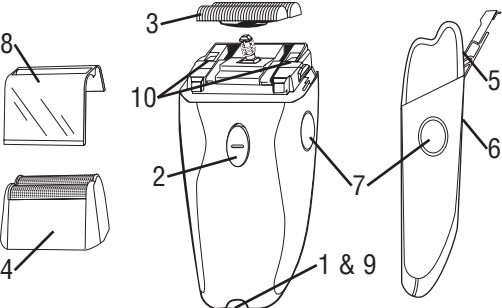
## LIMPIEZA Y MANTENIMIENTO

*de las Barras Cortadoras Patentadas DynaFlex (EPO. PAT. NO. 486.903) y los Cabezales Flex Foil®.*

Para un máximo rendimiento, recomendamos que limpie la rasuradora regularmente después de usarla unas cuantas veces. Cualquier otro tipo de servicio, que no sea el reemplazo del cabezal Flex Foil® y el ensamblaje de barra cortadora, debe ser llevado a cabo por un Centro de Servicio autorizado para las rasuradoras de Wahl, o por Wahl Clipper Corporation (en la garantía encontrará la dirección correspondiente).

Para limpiar la rasuradora, apáguela (coloque el interruptor en Off) y quite el cabezal Flex Foil® empujando el botón de desenganche del mismo a un lado de la rasuradora y moviendo hacia arriba el cabezal de la hoja. Golpee ligeramente el lado abierto del cabezal Flex Foil® contra una superficie dura para expulsar la mayoría de los residuos capilares. Tenga cuidado de no golpear la hoja.

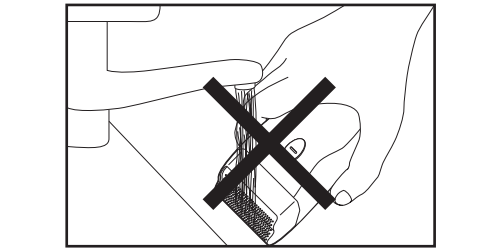
9



## FEATURES

1. Enchufe
2. Interruptor de encendido/apagado (On/Off)
3. Ensamblaje de la Barra Cortadora
4. Cabezal Flex Foil®
5. Recortadora de Pelos Largos
6. Interruptor de abrir y cerrar la Recortadora de Pelos Largos
7. Botón de Desenganche del Cabezal de la Rasuradora
8. Protector del Cabezal
9. Contactos del Cargador
10. Presillas de Resort

## No Enjuague La Afeitadora



4

## PARA REMOVER EL ENSAMBLAJE DE LA BARRA CORTADORA

**Apague la rasuradora. Quite el cabezal y sujetando la rasuradora con una mano, presione gentilmente sobre la barra cortadora y girela 90° y inclínela hacia arriba ligeramente.**

Asegúrese de sujetarlo colocando el pulgar y el índice a ambos extremos del ensamblaje de la barra cortadora. Use el cepillo suministrado para limpiar los residuos capilares acumulados entre las cuchillas. Cepille con cuidado las cuchillas de forma que no se separen las barras cortadoras. NOTA: Si no sujeta el ensamblaje de la barra cortadora según se indica, puede causar daños a la misma al cepillar las hojas.

Cuando el cabezal Flex Foil® y el ensamblaje de la barra cortadora se han quitado de la rasuradora, pueden ser enjuagados con agua bajo la llave, esto le da una alternativa de limpieza. Después déjelos secar al aire libre.

Después de limpiar la rasuradora, vuelva a poner el ensamblaje de la barra cortadora apretándolo suavemente hacia abajo y girándolo 90° hasta que se ajuste. Instale con cuidado el cabezal Flex Foil® encájandolo a presión.

Después de un período de uso, y dependiendo de la densidad de su barba, usted necesitará reemplazar la barra cortadora y los cabezales. Si usted nota que le toma más tiempo el rasurarse, o si su cara se irrita, o si el cabezal se calienta, es probable que necesite reemplazar la barra cortadora y los cabezales. Solamente utilice piezas WAHL.

10

## CÓMO RECARGAR LA RASURADORA

**• Para un mejor rendimiento, cargue su rasuradora por 18 horas antes de utilizarla por primera vez.** Este producto fue diseñado con el cargador en el enchufe. Esto permite que la rasuradora tenga mayor potencia y sea mucho más ligera para permitir una mejor maniabilidad, y para mantener la línea del voltaje segura en el enchufe y no en la rasuradora.

• Conecte el cable del transformador a la rasuradora. **ASEGÚRESE QUE LA RASURADORA ESTÉ EN LA POSICIÓN DE “OFF” (APAGADA) (QUE MARQUE “0” LA RASURADORA ) CUANDO LA ESTÉ CARGANDO.**

• Esta afeitadora tiene una batería de Ni-Cad por lo que debe ciclar la batería para prolongar su vida útil. Para hacerlo, descargue por completo la batería usando la afeitadora hasta que se apague, y luego recárguela completamente. Eso le ayudará a asegurarse de que la afeitadora tenga la vida de batería más prolongada posible, sin sufrir efectos de memoria negativos.

5

## CUIDADO DEL CABLE

No utilice el cable para tirar de la rasuradora. Es necesario mantener la libertad de movimiento. Mantenga el cable libre de torceduras. Cuando guarde la rasuradora, el cable debe estar amarrado y colocado en su paquete original o bolsa.

## SERVICIO Y REPARACIÓN

Si tiene problemas con la rasuradora, envíela con franqueo prepagado y una nota explicando el problema a:  
Wahl Clipper Corporation  
Attn: Repair Department  
3001 Locust Street • P.O. Box 578  
Sterling, IL 61081  
Teléfono (800) 767-9245

Para productos comprados fuera de Estados Unidos, póngase en contacto con su distribuidor.

### GARNATÍA 60 DIAS PARA DEVOLUCIÓN DE SU DINERO

Si por cualquier razón entre los 60 días de la compra de su rasuradora de Wahl no esta satisfecho con su compra y desea una devolución de su dinero, regrese la recortadora junto con su recibo de compras a la tienda donde lo compro. Wahl reembolsara a las tiendas quienes acepta las rasuradoraa entre los 60 días de su compra. Si tiene preguntas tocantes esta Garantía, por favor llamanos al 1-800-767-9245 en los Estados Unidos.

11

## HOJA DE TITANIO HIPOALERGÉNICA

Muchos hombres afroamericanos padecen de pseudofoliculitis de la barba, también conocida como dermatitis por afeitadora. Existen algunas soluciones para este problema, pero la Rasuradora Bump-Free de Wahl® puede ayudarlo de estas formas:

- Al mantener el cabello parejo y corto
- Al mantenerse lo más antibacterial posible
- Al reducir las reacciones alérgicas mediante las hojas de titanio hipoalergénicas

**!** **IMPORTANTE:**  
Debido a que este cabezal puede rasurar de modo profundo, haga contacto ligero con la piel cuando se rasura el cuello y otras zonas en que la piel pueda ser fina y sensible.

**Remplazo de la Hoja y la Barra de la Cortadora: #07019-500**

6

**GARANTÍA LIMITADA DE 3 AÑOS**  
**Válida en EE. UU. Solamente**

Si su producto Wahl no funciona de forma satisfactoria durante un período de tres (3) años contados a partir de la fecha original de compra o de recibirlo como regalo, Wahl reparará o reemplazará el producto a su criterio y se lo devolverá SIN CARGO. **No devuelva este producto a la tienda donde fue adquirido.** Los productos que necesiten ser reparados conforme a esta garantía deben enviarse con franqueo pagado a la siguiente dirección o llame al 1-800-767-9245 para obtener asistencia:  
**Wahl Clipper Corp.**  
**Attn: Repair Department**  
**3001 Locust Street**  
**Sterling, Illinois 61081**

Cuando envíe un correo, incluya una nota que describa el defecto y la fecha original en que se compró o se recibió como regalo. Los productos fuera de garantía se repararán aplicando nuestros cargos de reparación estándar.

Esta garantía no cubre los productos dañados por las siguientes causas:

1. Modificación o reparación efectuada por otra persona que no pertenezca a Wahl Clipper Corporation ni a un centro de servicio autorizado por Wahl;
2. Uso comercial (no de consumidor) o no razonable.

Esta garantía le otorga derechos legales específicos y usted también puede tener otros derechos que varían en cada estado. No se otorga ninguna otra garantía explícita por escrito. No se asume responsabilidad alguna por daños indirectos o consecuentes de cualquier tipo, ni por el uso de accesorios no autorizados. Algunos estados pueden prohibir la exclusión o la limitación de daños indirectos o consecuentes, de modo que esta limitación puede no aplicarse a su caso. Garantía sólo válida en EE. UU. Fuera de EE. UU., consulte en la tienda sobre la garantía del distribuidor autorizado de Wahl.

Para mas informacion o Registracion de Producto visite **WahlUSA.com**

12