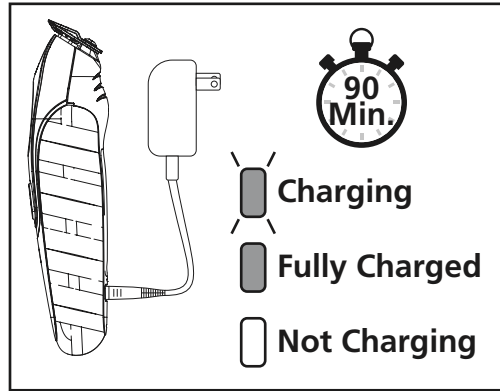
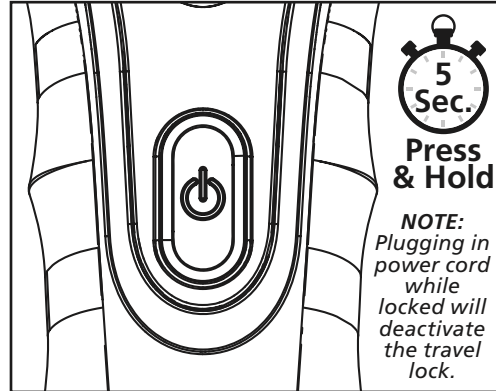


Wahl Manscaper® Trimmer Quickstart Guide

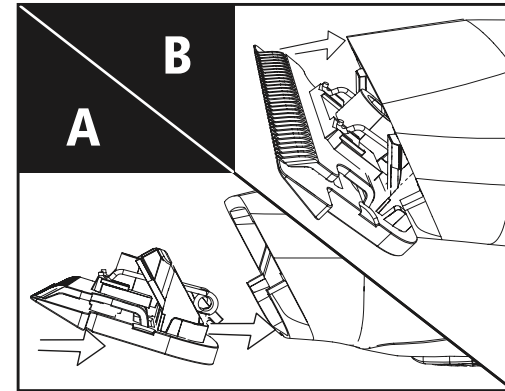
1. Charge Unit



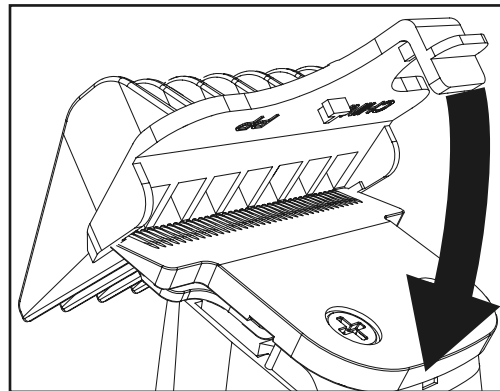
2. Disable/Enable Travel Lock



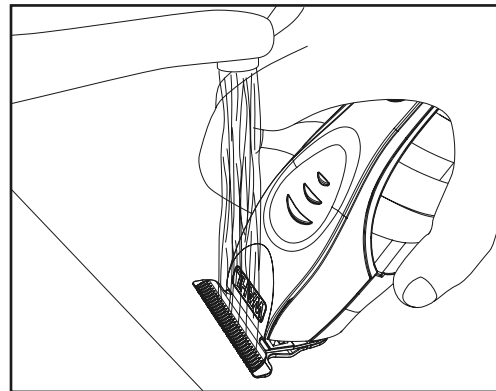
3. Attach Desired Grooming Head



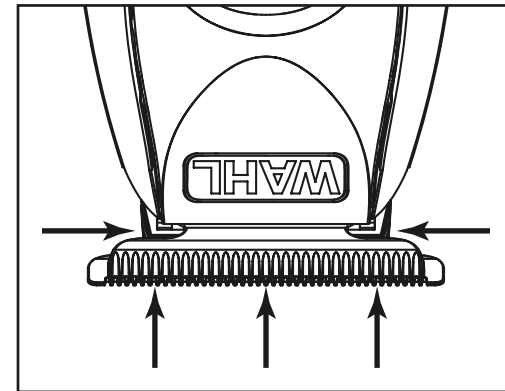
4. Select Guide Comb & Attach



5. Rinse Trimmer



6. Oil Blades



MANSCAPER®

Manscaping can be easy and fun, but also a little intimidating. It is certainly an area where you will want to take some extra time and care to get the results you want with no discomfort. Wahl's Manscaper® with its wrap-around safety guards will help keep your privates safe during the coming expedition, but you will still want to observe some caution to avoid any mishaps along the way.

Before you even begin, it's important to know what you want to have your "NetherScape" look like when you are done. Are you looking for an even trim all over, edging back excess hair that sticks out around your briefs, or planning to use one of the more whimsical stylings that can be found in an Internet search? Once you have decided what you want the finished result to look like, follow the steps below to achieve your new look.

HOW TO MANSCAPE

1. **Clean is important.** Be sure your Manscaper® is clean and ready to perform the task with plenty of power available to do the job. Also, make sure your hair is clean and dry for best results.
2. Use a comb to gently remove any snarls or tangles from your pubic hair. Go slow at first until you get the hang of combing the NetherScape to avoid painful pulls and jabs. After your hair is clear of obstructing tangles, you are ready to start trimming.
3. Start with the longest protective guard. You will use progressively shorter lengths as you work your hair into the style you want, but it's best to take off a little at a time.
4. Gently trim in the direction your hair naturally grows, and avoid cutting against the grain as much as possible.
5. Using your free hand, pull your skin taught as you get to shorter lengths to avoid folds of skin entering the trimmer blade. See illustrations for examples of what to do and what not to do.
6. Do the job, but don't over do it. To avoid irritating sensitive skin, you will want to make as few passes as possible as you get into the shorter lengths. Remember to go gently and take light strokes.
7. **TAKE YOUR TIME.** A fully charged Manscaper® will run for up to 2.5 hours on a charge, so you have plenty of time to go slow and get the job done right.

PRO TIP: After you perform your trimming, make sure to clean up the mess. Nobody wants to walk into the bathroom and find that all over the floor.

